



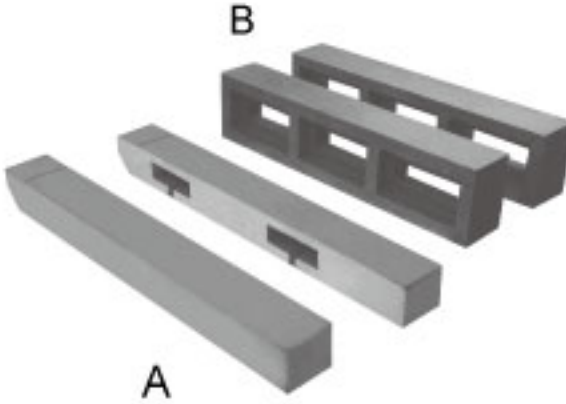
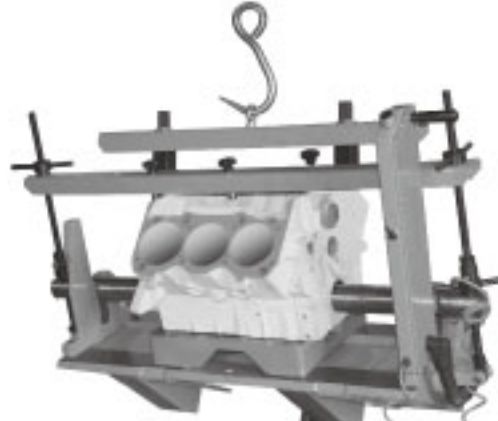


Accessories

cylinder boring machine FT7

		
<p>spindle $\Phi 38\text{mm}$ ($\Phi 39\text{mm}-\Phi 52\text{mm}$) & boring cutters</p>	<p>spindle $\Phi 50\text{mm}$ ($\Phi 51\text{mm}-\Phi 82\text{mm}$) & boring cutters</p>	<p>spindle $\Phi 80\text{mm}$ ($\Phi 81\text{mm}-\Phi 145\text{mm}$) & boring cutters</p>
		
<p>spindle $\Phi 120\text{mm}$ ($\Phi 121\text{mm}-\Phi 180\text{mm}$) & boring cutters</p>	<p>parallel support A ($60 \times 70 \times 610\text{mm}$) parallel support B ($70 \times 100 \times 550\text{mm}$)</p>	<p>air-floating V-type cylinder fixture & block handler</p>

Standard accessories

- Spindle $\Phi 50$
- Spindle $\Phi 80$
- Parallel support A
- Parallel support B
- Boring cutters

Optional accessories

- Spindle $\Phi 38$
- Spindle $\Phi 120$
- Air-floating V-type cylinder fixture
- Block handler

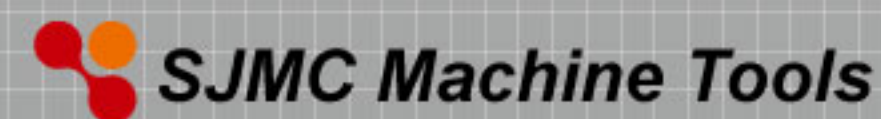


SJMC Machine Tools Co.,Ltd

Add:16/F,Jincheng House,No.511 Tianmu West Road,Shanghai China
Tel:0086-21-53550166 0086-21-63805442 Fax:0086-21-63805455
http://www.sjmc.com.cn E-mail:info@sj-mc.com

Cylinder Boring Machine

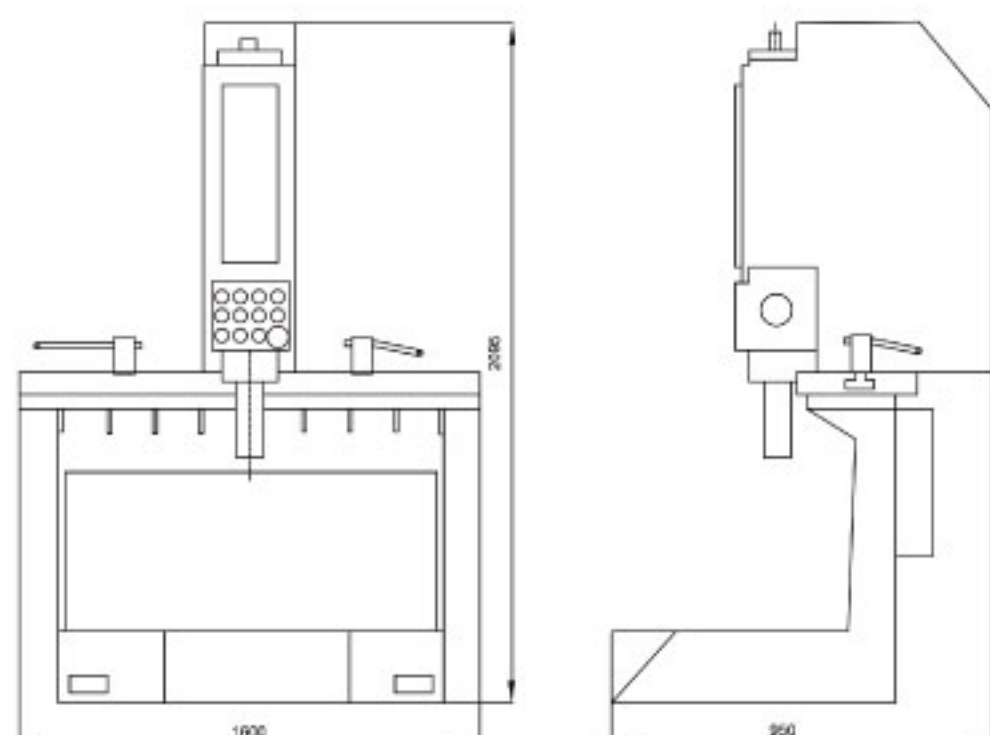
Model:FT7



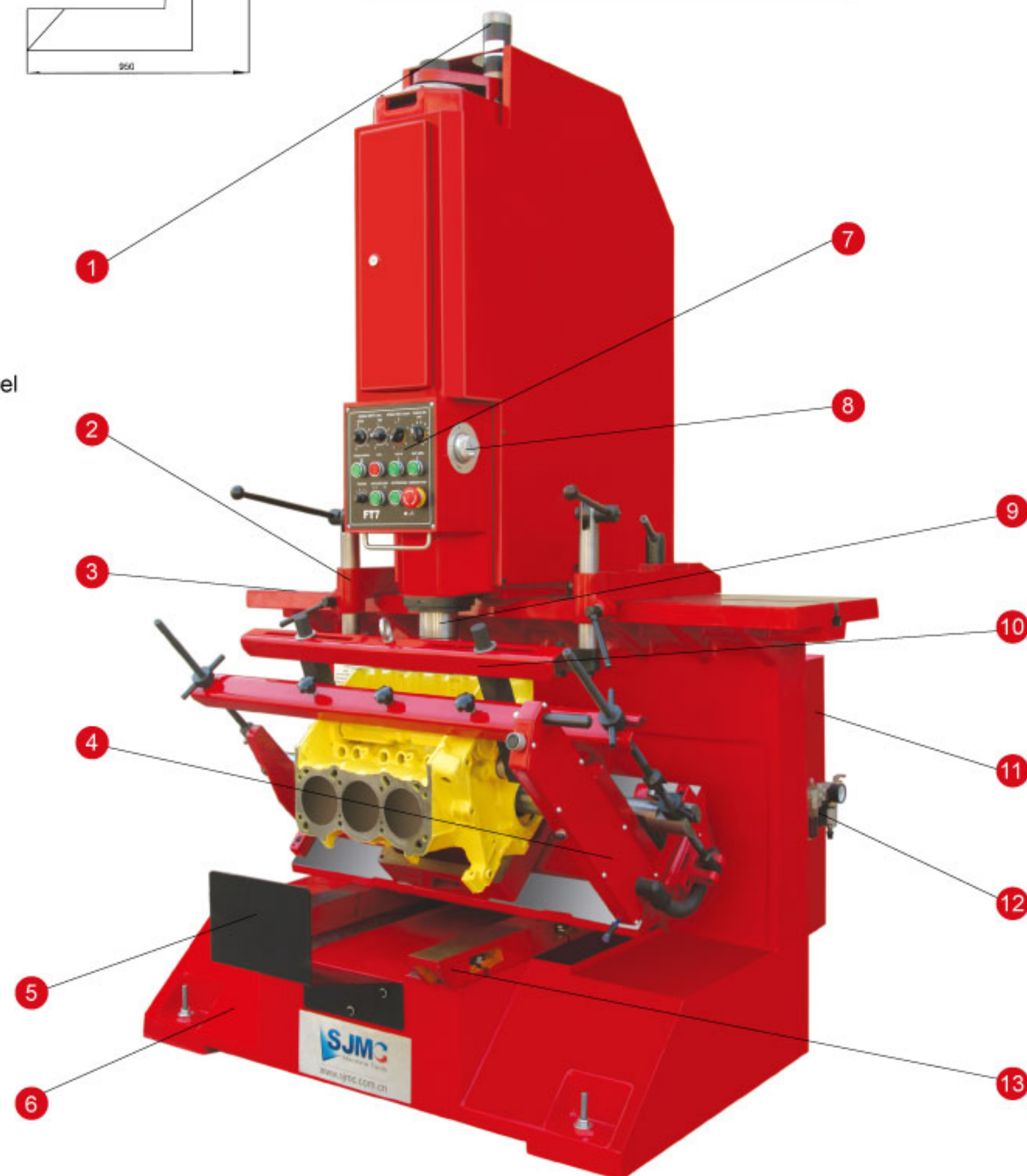
www.sjmc.com.cn

Cylinder Boring Machine FT7

FT7 is a new design cylinder boring machine. Mainly used for repairing automobile and tractor cylinders. The spindle of FT7 can be moved freely above the floating table, quickly move to the top of the cylinder you will work with. 4-point automatic centering system, make your work fast and precision. Various of the tool holder fit this machine work from 39-180mm. Together with the air floating V- Fixture make this machine available to work with 30° and 45°V cylinder.



- 1 automatic centering motor
- 2 quick clamping device
- 3 air-floating worktable
- 4 air-floating V-fixture
- 5 cover
- 6 machine base
- 7 main control board
- 8 spindle micro-feed hand wheel
- 9 main spindle
- 10 block handler
- 11 electric box
- 12 air filter
- 13 parallel support A



Technical Specifications

Model	Unit	FT7
Range of boring diameter	mm	Φ 39-Φ 180
Max. boring depth	mm	400
Max. longitudinal travel of spindle	mm	1058
Max. cross travel of spindle	mm	58
Spindle speed	rpm	50-1000
Range of spindle feed	mm/s	0.42-0.80
Spindle move speed	mm/s	5-16
Main motor	kw	1.1
Spindle feed motor	kw	0.4
Self-centering motor	kw	0.15
Pneumatic pressure	pa	0.6<P<0.8
Wheelhead feed per round	mm	0.5
Wheelhead feed per grad	mm	0.005
Overall dimension	mm	1600x950x2095
N.W/G.W	kgs	1500/1800

