

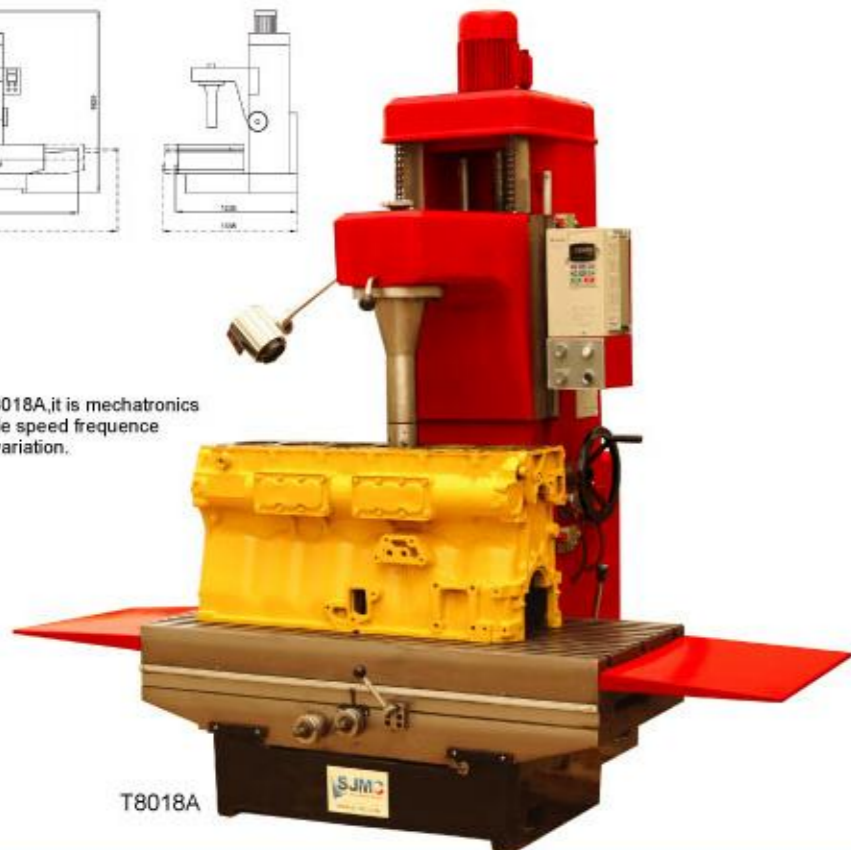
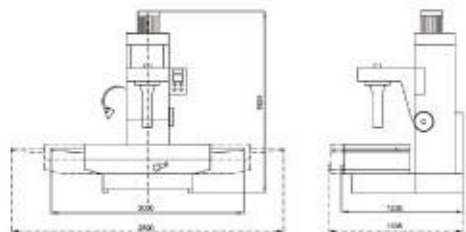
T8018A/T8018B

vertical boring machine

The machine is mainly used for boring the cylinder hole of internal combustion engine and the inner hole of cylinder sleeve of cars or tractors, and also for other machine element hole. T8018A is a mechatronics driven and spindle speed frequency changed speed variation. T8018B is a mechani-cally-driven.

Technical Specifications

Model	T8018A	T8018B
Range of boring diameter	Φ30-Φ180 mm	
Max. boring depth	450 mm	
The rotational speed of spindle	140-610 r/min	175,230,300,350,460,600 r/min
Spindle feed	0.05, 0.10, 0.20 mm	
Spindle travel	500 mm/r	
The high rising speed of spindle	2.65 m/min	
The distance from the central line of the spindle to the body	320 mm	
Table size	1200×500 mm	
Table travel	Crosswise	100 mm
	Lengthwise	800 mm
Rapid travel of guide slide	2800 mm/min	
Machine power	Main motor	3 Kw
	Motor for quick-moving	0.75 Kw
Overall dimensions(L×W×X)	2000×1235×1920 mm	
Packing dimensions(L×W×X)	1400×1400×2250 mm	
N.W./G.W.	2000/2200 kg	



T8018A

This picture is T8018A, it is mechatronics driven and spindle speed frequency changed speed variation.

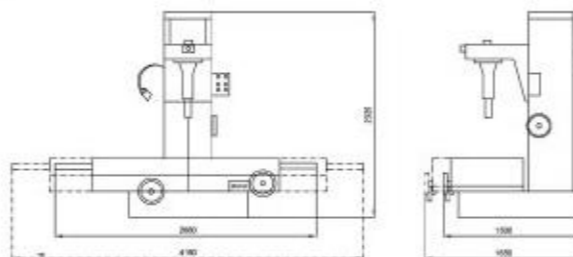
T8018C

vertical boring machine

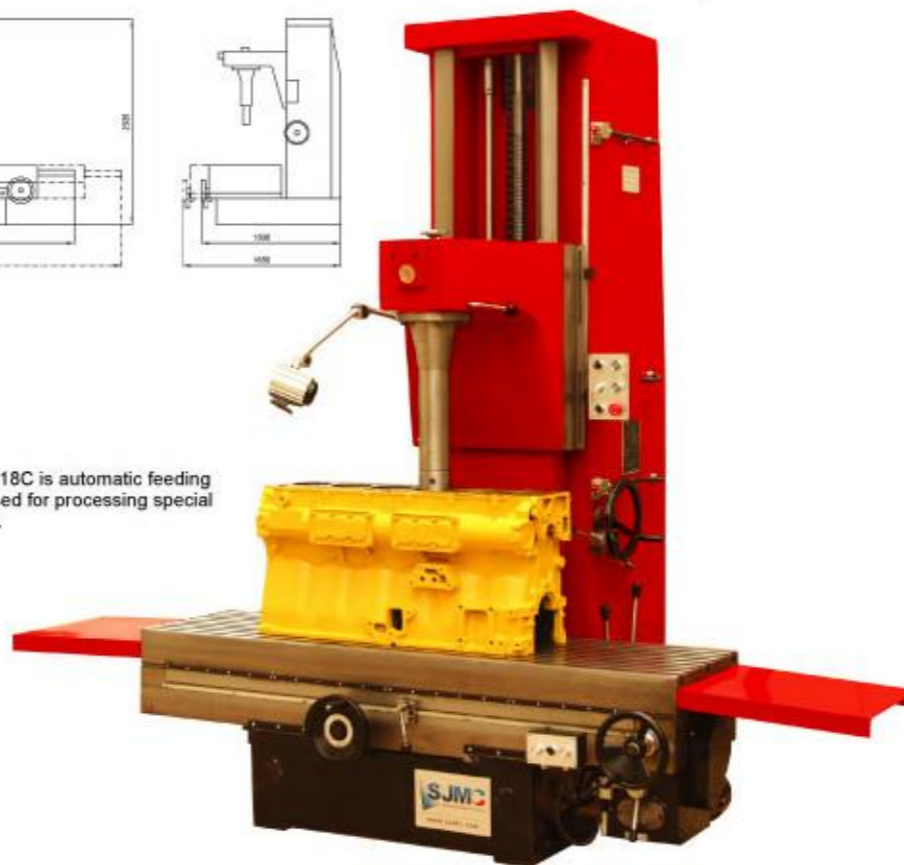
The machine is mainly used for boring the cylinder hole of internal combustion engine and the inner hole of cylinder sleeve of cars or tractors, and also for other machine element hole. T8018C is used for processing special large motor cylinders. The machines are with the advantages of cramped structure, reliable performance, wide uses and high processing accuracy, etc.

Technical Specifications

Model	T8018C	
Range of boring diameter	Φ42-Φ180 mm	
Max. boring depth	650 mm	
The rotational speed of spindle	175,230,300,350,460,600 r/min	
Spindle feed	0.05, 0.10, 0.20 mm	
Spindle travel	800 mm/r	
The high rising speed of spindle	2.65 m/min	
The distance from the central line of the spindle to the body	315 mm	
Table size	1680×450 mm	
Table travel	Crosswise	150 mm
	Lengthwise	1500 mm
Rapid travel of guide slide	2800 mm/min	
Rapid travel of table	1400 mm/min	
Machine power	Main motor	YD100L2-4/2, 1400/2800 rpm, 2.4/3 Kw
	Motor for quick-moving	Y802-4, 1400 rpm, 0.75 Kw
Overall dimensions(L×W×X)	2680×1500×2325 mm	
Packing dimensions(L×W×X)	1578×1910×2575 mm	
N.W./G.W.	3500/3700 kg	



The worktable of T8018C is automatic feeding on transversal. It is used for processing special large motor cylinders.



Accessories

vertical boring machine T8018A/T8018B/T8018C

Table of Standard and Optional Accessories

Model	Standard Accessories	Optional Accessories
T8018A	2,3,9	1,4,10,11,12
T8018B	2,3,9	1,4,10,11,12
T8018C	6,7,9	5,8,10,11,12



Boring machine for cylinder

Boring machine for cylinder

Boring machine for cylinder